



PLEASE READ AND SAVE THESE INSTRUCTIONS

## LOW PROFILE AIR MOVER OWNER'S MANUAL

MODEL: PL-700A, XL-700A, XL-730A,  
XL-760AM (115V/60HZ)



XPOWER MANUFACTURE, INC.  
240 Clary Avenue  
San Gabriel, CA 91776, USA  
Tel: 626-285-3301 Fax: 626-285-3302  
[www.xpower.com](http://www.xpower.com)



## TABLE OF CONTENTS

Introduction.....	3
Operation Instructions .....	4
Safety Instructions.....	5, 6
Maintenance Instructions .....	6
Troubleshooting .....	7
Specifications.....	8
Accessories.....	9
Parts List .....	10, 11
More XPOWER Products.....	12, 13
XPOWER Warranty / Service .....	14
Warranty Registration Form .....	15, 16

## Introduction

XPOWER Low Profile Air Movers are ETL & C-ETL certified professional level multi functional blowers / fans with the most efficient engineering design.

### Features:

- Low power draw with a high velocity air flow from 1050 CFM to 1150 CFM
- Super quiet and super light weight
- Easy carry handle and stackable up to 6 units high
- Quick to disassemble for thorough cleaning and service
- Convenient cord wrap design
- Power cord length up to 15'
- Safety screens on open vents
- Built-in power outlets for daisy chain
- Durable and rugged housing with 1 year warranty

## **Operation Instructions**

XPOWER Low Profile Air Movers are intended to move air and to dry floors, walls, furniture, etc. Durable and easy to operate with an effective balance of static pressure and airflow, the units are suitable for a variety of applications.

1. XPOWER Low Profile Air Movers are shipped ready-to-use. Prior to plugging the unit into the power source, inspect completely for any shipping damage.
2. Plug the electrical cord into a standard 3-prong outlet.
3. Carefully place the unit on a stable, flat dry surface.
4. Turn the switch to desired speed, while making sure unit operates normally.
5. To Reduce the risk of injury, close supervision is necessary when the appliance is used near children. Do not allow children to play with or around an air mover at any time.



### **STORAGE:**

Low Profile Air Movers can be stacked (up to 6) high for storage.

## **Safety Instructions**

1. To prevent electric shock, do not operate the unit in standing water. Never plug in or unplug the unit with wet hands or while standing in water.
2. To avoid risk of injury, do not redirect air flow at face or body.
3. To reduce the risk of fire or electric shock, do not use the Low Profile Air Mover with any solid-state speed control device.
4. Use only with GFCI protected receptacles. Please contact a qualified electrician for verification and / or installation of a GFCI receptacle if necessary.
5. Do not operate the Low Profile Air Mover with a damaged cord or plug. Discard the unit or return it to an authorized service facility for examination and / or repair.
6. Unplug the Low Profile Air Mover from the power supply before servicing or cleaning.
7. Do not run the power cord under carpet. Do not cover the cord with throw rugs, runners, or similar coverings. Do not route cord under furniture or appliances. Arrange cord away from traffic area and where it will not be tripped over.
8. Do not allow children to play with or around the Low Profile Air Mover at any time.
9. Do not move or carry the Low Profile Air Mover while the unit is operating.

(Continued at Page 6)

### **Safety Instructions**

10. Always place the Low Profile Air Mover on a smooth and level surface for safe operation.
11. Any misuse or abuse of this product will void its warranty.
12. It's automatically operated device. To reduce the risk of injury disconnect from power supply before servicing.

### **Maintenance Instructions**

1. To keep the Low Profile Air Mover clean, use a damp cloth to wipe the surface of the housing.
2. Never clean the Low Profile Air Mover with water.
3. When not in use, unplug and store the Low Profile Air Mover in a dry indoor place out of reach of children.
4. Always disconnect the Low Profile Air Mover from its power source before cleaning, disassembly, or servicing,

### **Troubleshooting**

<b>PROBLEM</b>	<b>POSSIBLE CAUSE</b>	<b>SOLUTION</b>
Low Profile Air Mover not running	No power input / Switch not turned on	Check outlet / switch to another outlet, make sure unit is plugged in and switch is turned on.
	Intake or exhaust blocked	Turn unit off to cool down, then remove blockage
	Fan jammed	Remove material jamming the fan
	Wiring failure / Motor Failure	contact XPOWER Customer Service
Low Profile Air Mover vibrates / makes noise	Fan jammed / broken	Remove material jamming the fan or contact XPOWER Customer Service

## Specifications

Model	PL-700A	XL-700A	XL-730A	XL-760AM
Volt / Frequency	115V / 60HZ	115V / 60HZ	115V / 60HZ	115V / 60HZ
Power	1/3 HP	1/3 HP	1/3 HP	1/3 HP
Amp	2.8 Amps	2.8 Amps	2.8 Amps	2.8 Amps
Rated Airflow (On High)	1050 CFM	1050 CFM	1150 CFM	1150 CFM
RPM	1000 / 1300 / 1600	1000 / 1300 / 1600	400 / 700 / 1000 / 1300 / 1600	1600
Speeds	3 Speed	3 Speed	5 Speed	1 Speed
Built-in Power Outlets	Yes	Yes	Yes (GFCI)	Yes (GFCI)
Hour Meter	-	-	-	Yes
Unit / Box Weight	19.8 lbs. / 21.2 lbs.	21.2 lbs. / 22.5 lbs.	22.9 lbs. / 24.3 lbs.	20.7 lbs. / 22.0 lbs.
Unit / Box Dimension (L x W x H)	17.7" x 17.7" x 8.3" / 18.0" x 8.7" x 18.1"	17.7" x 17.7" x 8.3" / 18.0" x 8.7" x 18.1"	17.7" x 17.7" x 8.3" / 18.0" x 8.7" x 18.1"	17.7" x 17.7" x 8.3" / 18.0" x 8.7" x 18.1"
Power Cord (Length / Size)	15' / 14AWG	15' / 14AWG	15' / 14AWG	15' / 14AWG
Thermal Protection	Yes	Yes	Yes	Yes
Housing	PP	ABS	ABS	ABS
Safety Certification	ETL / C-ETL	ETL / C-ETL	ETL / C-ETL	ETL / C-ETL

## Accessories



### Daisy Chain Specifications

XPOWER Low Profile Air Mover is daisy chainable with a low 2.8 amp draw. The 12-amp on-board circuit breaker will allow three (3) additional same units to run on one circuit at the same time.

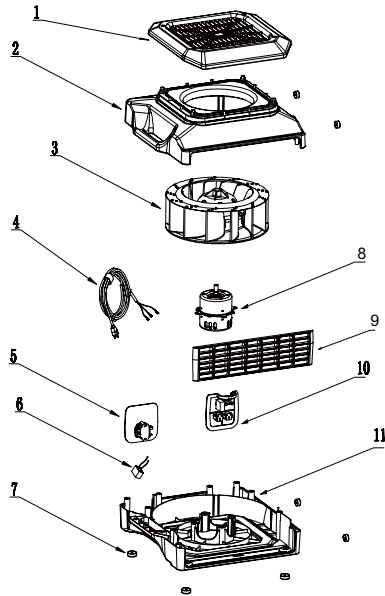


**Note:**  
Low Profile Air Mover has an on-board circuit breaker. If the auxiliary outlet overloads, the circuit breaker will trip. If the breaker trips, unplug the units and press the circuit breaker reset button. Plug the units back into the power source and turn on the switch.

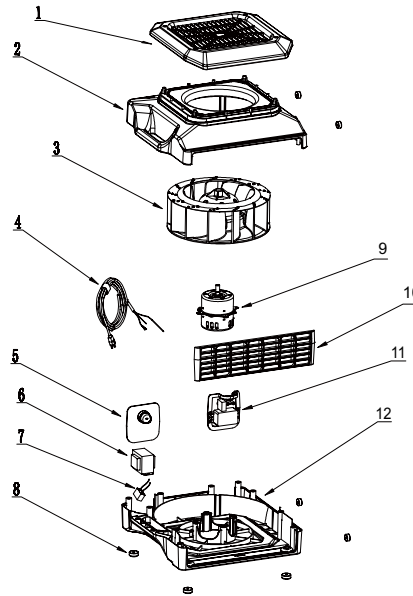
### Hour Meter (For XL-760AM)

An embed Hour Meter automatically accumulates operated time for Low Profile Air Mover. The number indicates worked hours for the unit, and can not be revised.

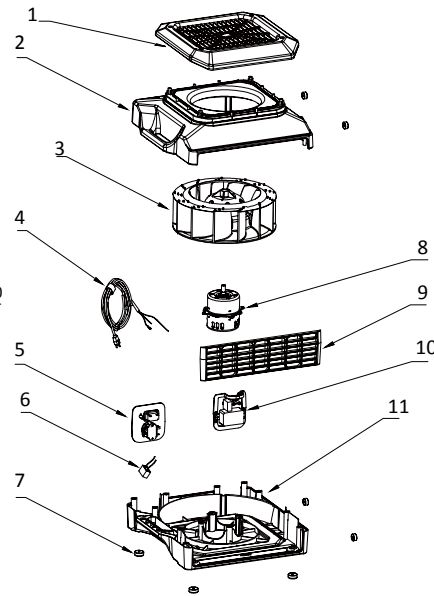
## Parts List



**PL-700A / XL-700A**



**XL-730A**



**XL-760AM**

## PL-700A / XL-700A

Item No.	Parts Name	Item No.	Parts Name	Item No.	Parts Name
1	Top cover	5	Switch assembly	9	Air outlet grid cover
2	Housing	6	Capacitor	10	AC receptacle assembly
3	Fan	7	Rubber feet	11	Bottom cover
4	Power cord	8	Motor		

## XL-730A

Item No.	Parts Name	Item No.	Parts Name	Item No.	Parts Name
1	Top cover	5	Switch assembly	9	Motor
2	Housing	6	Transformer	10	Air outlet grid cover
3	Fan	7	Capacitor	11	GFCI receptacle assembly
4	Power cord	8	Rubber feet	12	Bottom cover

## XL-760AM

Item No.	Parts Name	Item No.	Parts Name	Item No.	Parts Name
1	Top cover	5	Switch and hour meter assembly	9	Air outlet grid cover
2	Housing	6	Capacitor	10	GFCI receptacle assembly
3	Fan	7	Rubber feet	11	Bottom cover
4	Power cord	8	Motor		

**More XPOWER Products Available**

**Jan/San - Restoration & Mitigation Equipment:**

- Centrifugal Fans
- Low Profile Air Movers
- Scented Air Mover Fans
- Airrow Pro Blower
- Confined Space Fans
- Axial Fans
- High Temp Axial Fans
- Air Scrubbers
- Dehumidifiers
- Misting Fans



**Inflatable Advertising Equipment:**

- High Static Blowers
- Centrifugal Blowers
- Vertical Advertisement Blowers
- Air Pumps



**Professional & Retail Pet Grooming Equipment:**

- Professional Pet Grooming Dryers
- DIY Pet Grooming Dryers
- Air Care Equipment



Learn more at [www.xpower.com](http://www.xpower.com) or call 1-855-855-8868

## XPOWER Limited Warranty (USA)

XPOWER's Limited Warranty covers the unit (excludes power cord, filters, motor brushes, hoses and any other consumable parts) from defects in material and craftsmanship. The Warranty covers normal use for a term of one year from the original date of purchase including parts, labor, and one way shipping. Non-contiguous states must pay for roundtrip freight. Warranty honored with original proof of purchase only.

### **Important!**

This Warranty does not cover or apply to defects directly or indirectly due to misuse, abuse, disassembly, alteration, corrosive chemicals, improper voltage, fire, flood, negligence, accident, improperly or incorrectly performed maintenance or repair, or failure to perform necessary maintenance or repair, or if the use of this product is not in compliance with the instructions and specifications for its use.

### Service

For Warranty service and parts replacement (US customer only), you must:

- A. Call 1-855-855-8868 for a RMA (Return-Merchandise-Authorization) number.
- B. Have original proof of purchase provided.
- C. Use the original undamaged packaging or an industrial certified packaging method.

End user will be responsible for shipping the unit (with RMA Number showing on the shipping label) to XPOWER Customer Service Department. XPOWER will inspect, assess and advise the repairs needed and applicable cost, if any.

For users outside US, please contact an XPOWER Distributor in your country or region for warranty service and parts replacement.

## Warranty Registration (for US customer only)

For your product warranty, please complete and mail / fax this form to XPOWER MANUFACTURE, INC.

Address: 240 Clary Ave., San Gabriel, CA 91776. Tel: 626-285-3301 Fax: 626-285-3302

(For your convenience, register your product online at [xpower.com](http://xpower.com))

Company Name / Contact Person / Title \_\_\_\_\_

Address \_\_\_\_\_ City \_\_\_\_\_

State / Province \_\_\_\_\_ Zip \_\_\_\_\_ Country \_\_\_\_\_

Phone \_\_\_\_\_ Fax \_\_\_\_\_ E-mail \_\_\_\_\_

Model # \_\_\_\_\_ Serial #: \_\_\_\_\_

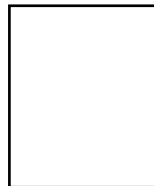
Date of Purchase \_\_\_\_/\_\_\_\_/\_\_\_\_ Purchased From \_\_\_\_\_

Additional Comments / Suggestions \_\_\_\_\_





From: \_\_\_\_\_  
\_\_\_\_\_  
\_\_\_\_\_



TO:  
XPOWER MANUFACTURE, INC.  
240 Clary Avenue  
San Gabriel, CA 91776, USA  
Tel: 626-285-3301, Fax: 626-285-3302

